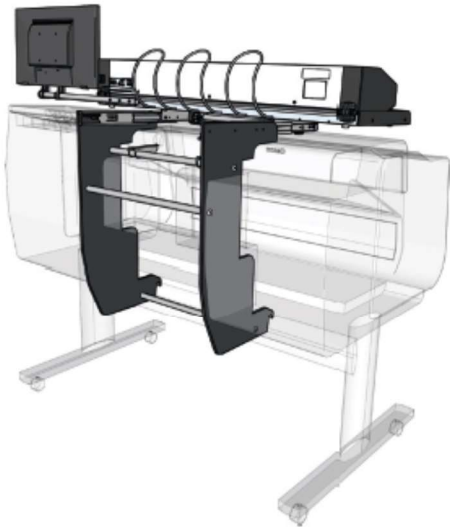


WideTEK® 36CL-MF1

For Canon TX Series Printers

The WideTEK® 36CL-600-MF1 mounts on top of a Canon TX3000/4000 or iPF 4000(S) wide format printer. Together with the integrated 64bit Linux-PC and the 21 inch touchscreen, the result is an economical MFP solution, featuring the fastest and best scanning capabilities in the industry.



The WideTEK® 36CL-600-MF1 includes the Canon TX stand, which was developed specifically for the TX series printers, to give this MFP solution the smallest footprint possible. It also features a built-in closed loop color calibration function, producing the best possible copies for your selected printer and paper combination. Select media type, printing quality and more and watch the ink levels via printer integrated functionality in ScanWizard. All required software option keys are factory installed, making this the simplest MFP solution to implement.

WideTEK® 36CL-MF5

For Canon TM Series Printers

The WideTEK® 36CL-600-MF5 mounts on top of a Canon TM 300 series printer. Together with the integrated 64bit Linux-PC and the 21 inch touchscreen, the result is an economical MFP solution, featuring the best in industry scanning capabilities.



The WideTEK® 36CL-600-MF5 includes the Canon TM mounting brackets for the TM series printers, to give this MFP solution the smallest footprint possible. Unlike the standard MFP solution from Canon, this scanner is not limited. It scans with or without the printer and sends images to SMB, FTP, network or even other printers. The WideTEK® 36CL-600-MF5 solution also features a built-in closed loop color calibration function, producing the best possible copies for your selected printer and paper combination.

WideTEK® 36CL-MF2,3,4

WideTEK® 36CL-600-MF2 for
Canon TDS/LFP Printers

WideTEK® 36CL-600-MF3 for
HP DesignJet and PageWide Printers

WideTEK® 36CL-600-MF4 for
Epson Large Format Printers

WideTEK® 36CL-600-MF2 is a free standing scanner that scans, copies and archives documents at high speed together with all Canon wide format printers. The WideTEK® 36CL-600-MF2 features a built-in closed loop color calibration function, producing the best possible copies for your selected printer and paper combination. Together with the integrated 64bit Linux PC and the 21 inch touchscreen, the result is an economical MFP solution, featuring the best in industry scanning capabilities.

If you are planning an MFP solution with an HP DesignJet or PageWide series printer, or you want to replace an old scanner in your existing MFP system, the WideTEK® 36CL-600-MF3 is by far the fastest color CIS scanner on the market, running at 10 inches per second at 200 dpi in full color, like all of the WideTEK® 36CL-600-MF solutions. It also features the 21 inch touchscreen and an integrated 64bit Linux PC.

Build an MFP system with any Epson large format series printer to scan, copy and archive with the WideTEK® 36CL-600-MF4, also built on the fastest color CIS scanner on the market, running at 10 inches per second at 200 dpi in full color. All WideTEK 36CL-MF solutions feature the 21 inch touchscreen and an integrated 64bit Linux PC as well as a built-in closed loop color calibration function, producing the best possible copies for your selected printer and paper combination.

